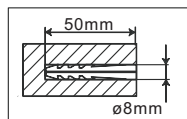
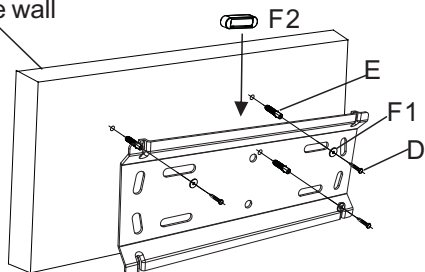


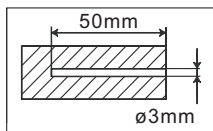
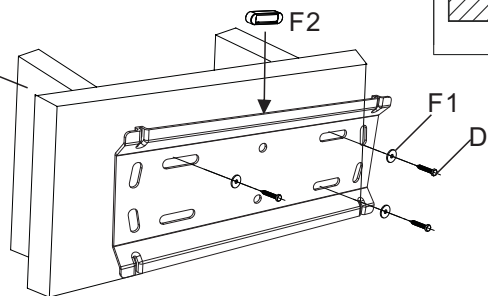
**STEP1 A Solid concrete mounting**

Concrete wall

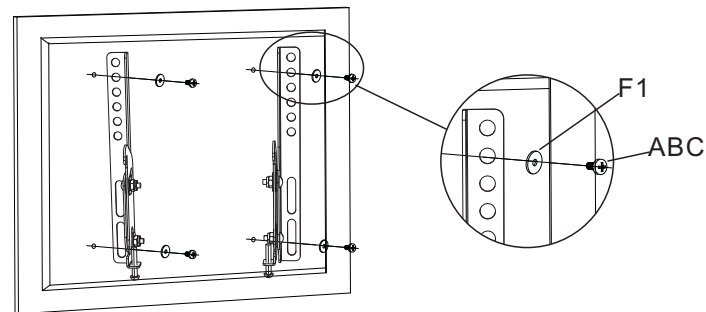


**STEP1 B Wood stud mounting**

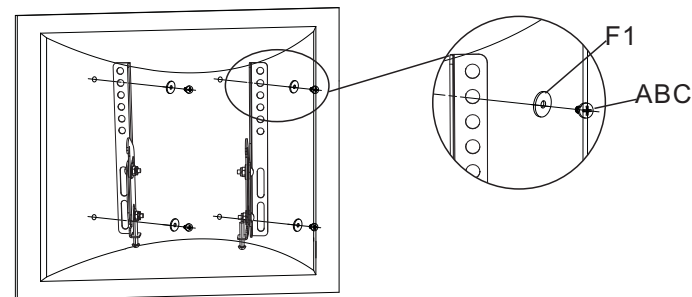
Woodstud



**STEP2A Attaching brackets to screen**



**STEP2B For TVs with a curved back or obstruction**



**STEP3 Hang the TV onto the wall plate**

